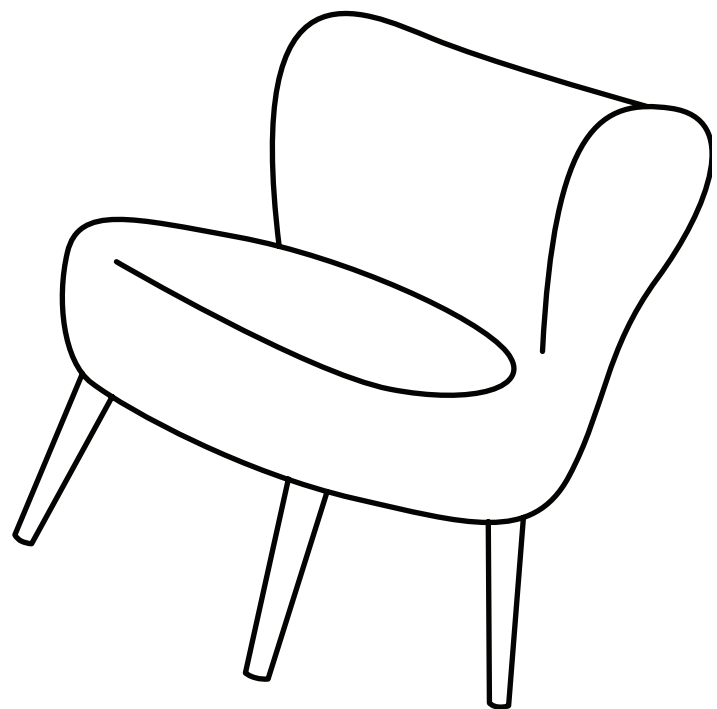
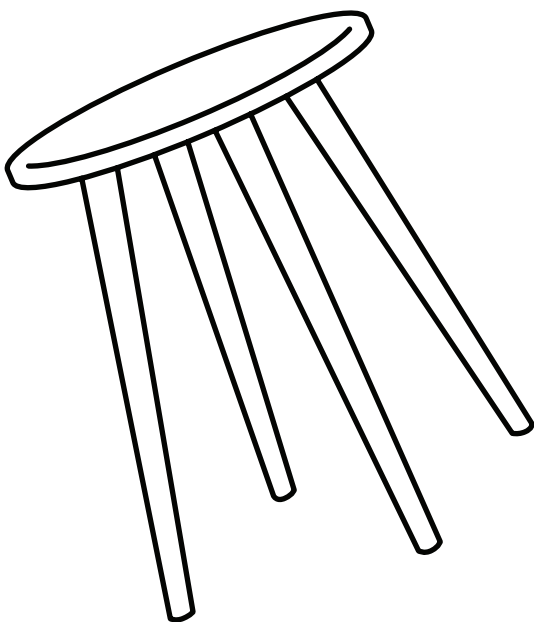


# Hello, I've arrived!

Now that I'm here you are only one  
flat-pack away from transforming  
your home.



**Mocka.**

# Thank you for supporting us.

We believe design belongs to everyone. From materials and processes to safety testing, production and delivery, we are passionate and committed to bringing you the best possible product so you can create beautifully functional spaces to feel comfortably you.

## Here are a few assembly tips before you get started:



### Make Time

The first step to all seamless assembly is taking a moment to carefully read through the instructions—you are already on your way to creating a beautifully functional space!



### Set The Mood

Put on your favourite playlist, order that pizza and pour yourself a drink to get in the mood!



### Tool Check

Layout the instructions, screws and panels to check you have everything you need. A blanket or soft floor rug will help protect your new favourite item from scratches and a drill will speed up the assembly too!



### Room Reveal

You did it! Take a step back and enjoy the moment. Don't forget to recycle any packaging and share a pic of your room reveal—we love seeing how you transform your home! **Tag us @mockaaustralia/@mockaanz**

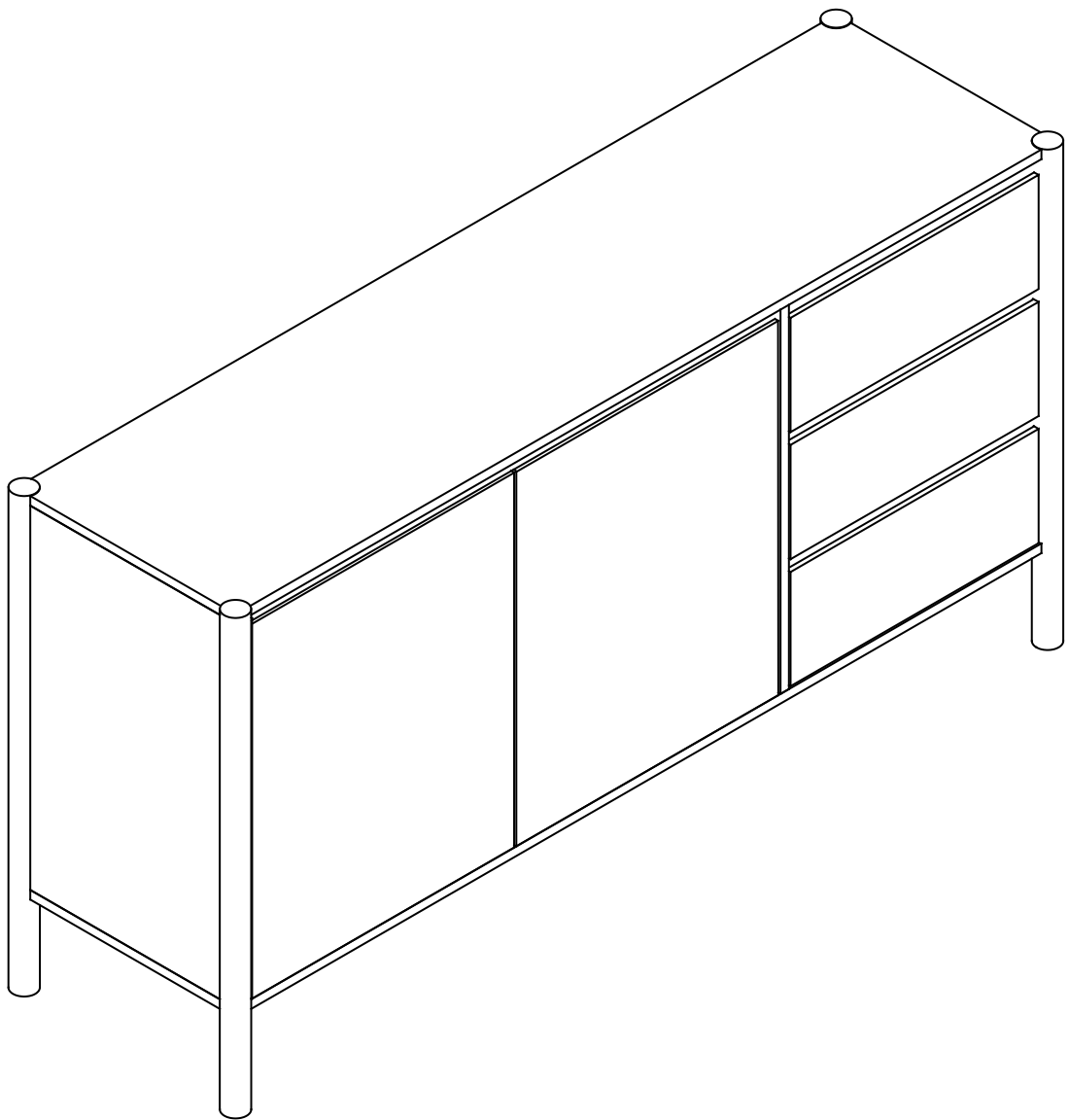
Happy flat-packing!

*The Mokka Team*

# Blair

## Buffet

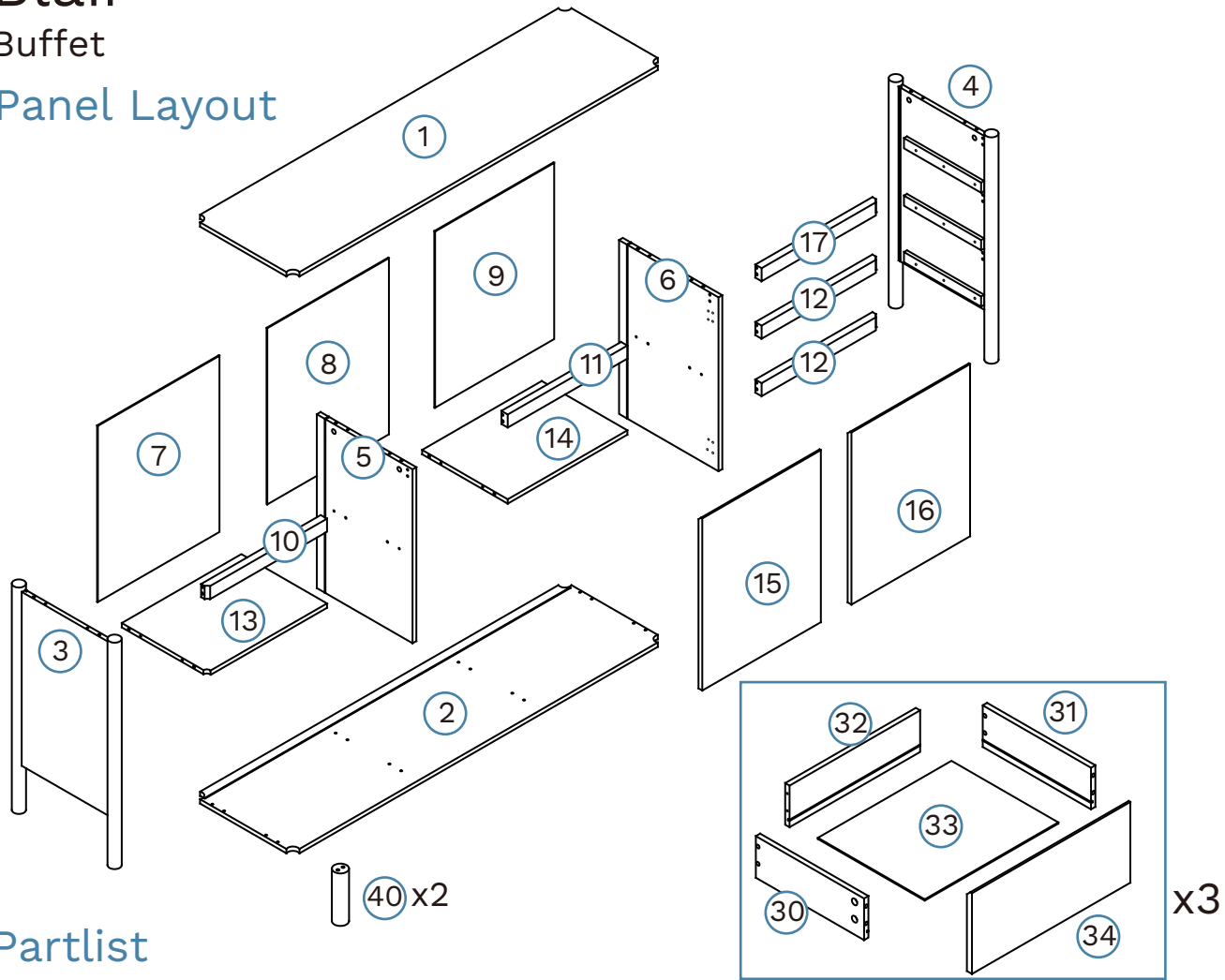
Thank you for your purchase. Please follow the instructions for correct assembly. While we took great effort to ensure these assembly instructions were correct at the time of printing, sometimes updates are required post production. For the most up to date versions please refer to the product page on our website. [mocka.com.au/mocka.co.nz](http://mocka.com.au/mocka.co.nz)



# Blair

Buffet

## Panel Layout

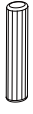





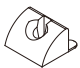















## Partlist






①	Top Panel	x1	⑬	Shelf Panel	x1
②	Bottom Panel	x1	⑭	Shelf Panel	x1
③	Left Side Panel	x1	⑮	Left Door	x1
④	Right Side Panel	x1	⑯	Right Door	x1
⑤	Divider	x1	⑰	Rail	x1
⑥	Divider	x1	⑳	Left Drawer Side	x3
⑦	Back Panel	x1	㉑	Right Drawer Side	x3
⑧	Back Panel	x1	㉒	Drawer Back	x3
⑨	Back Panel	x1	㉓	Drawer Base	x3
⑩	Rail	x1	㉔	Drawer Front	x3
⑪	Rail	x1	④①	support Leg	x2
⑫	Rail	x2			

# Blair

## Buffet

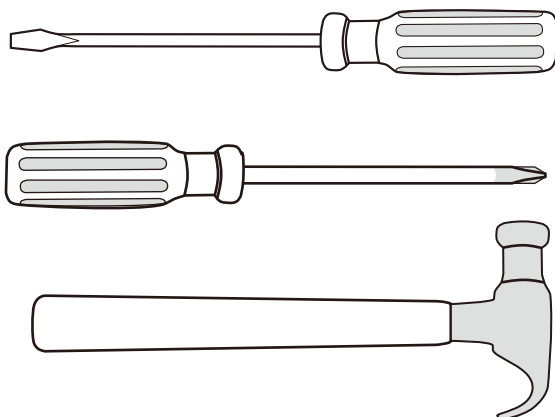
<b>A</b>  dowel x26	<b>B</b>  screw x12	<b>C</b>  bolt x38	<b>D</b>  locking nut x38	<b>E</b>  screw x30	<b>F</b>  screw x12	<b>G</b>  wedge x8	<b>H</b>  screw x8	<b>I</b>  plastic glide x4	<b>J</b>  bracket x2
<b>K</b>  adjuster x2	<b>L</b>  screw x24	<b>M</b>  screw x8	<b>N</b>  sticker x2	<b>O</b>  long dowel x4	<b>P</b>  hinge x4	<b>CL</b>  slide rail x3	<b>CR</b>  slide rail x3	<b>DL</b>  slide rail x3	<b>DR</b>  slide rail x3

**HARDWARE SUPPLIED**

<b>V</b>  safety strap x2	<b>W</b>  screw x 2	<b>X</b>  wall anchor x 2	<b>Y</b>  wall screw x 2	<b>Z</b>  washer x 4
---	---	---	--	--

**WALL STRAP**

**WARNING:** Any furniture that is not anchored to a wall has the potential to tip over in certain circumstances, i.e. if a child attempts to climb up on the furniture or in the event of an earthquake. Accordingly, we recommend that all furniture is anchored to a wall. We supply a free safety wall anchor with all furniture sold and we recommend these are used to prevent your product tipping. The fixing device provided should fit most wall types, but please note that different wall materials may require different fixing devices from those supplied.



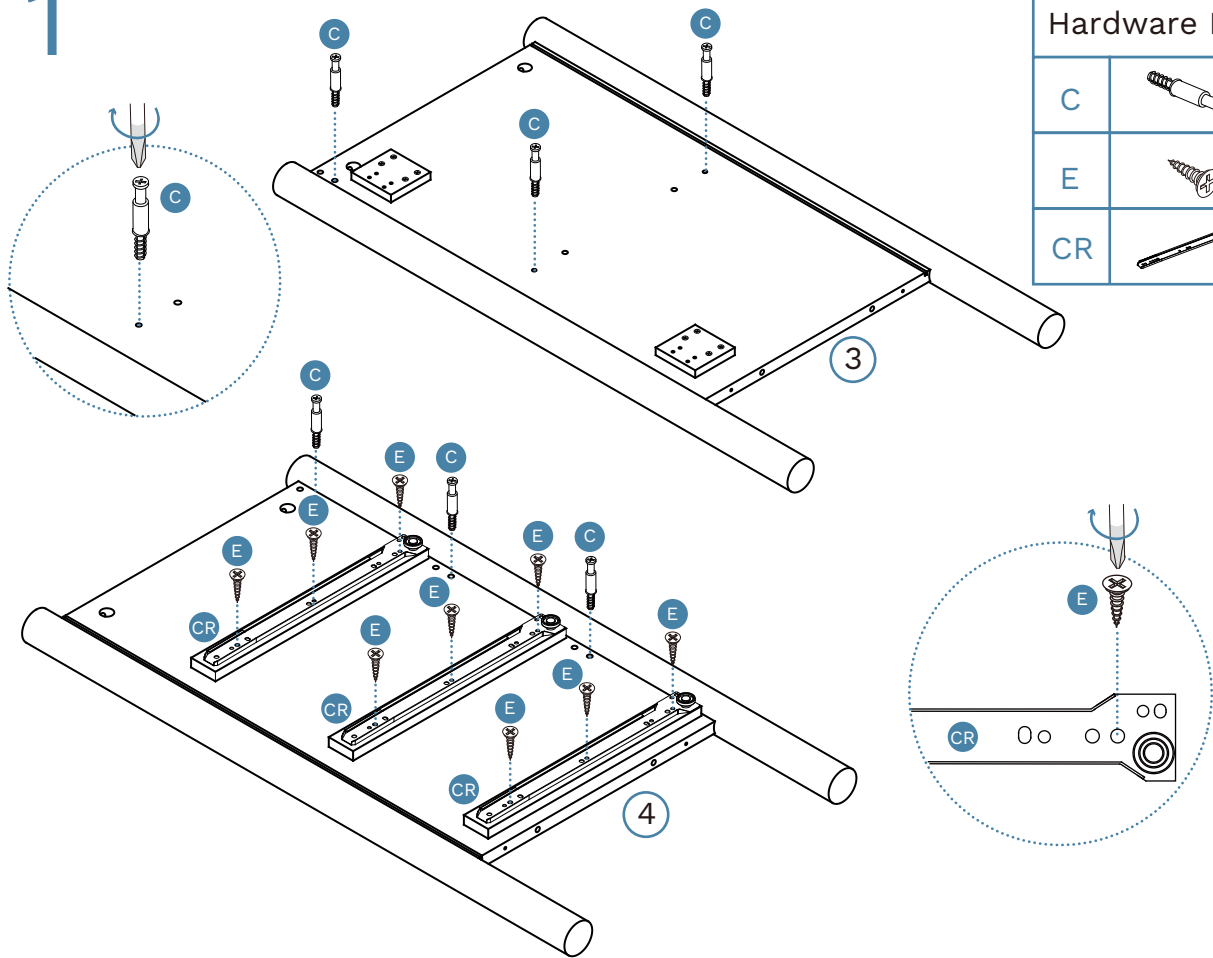
Phillips & Flathead screwdrivers  
and hammer required




**For quicker assembly, we recommend the use of a power drill on a low-speed setting.**

# Blair

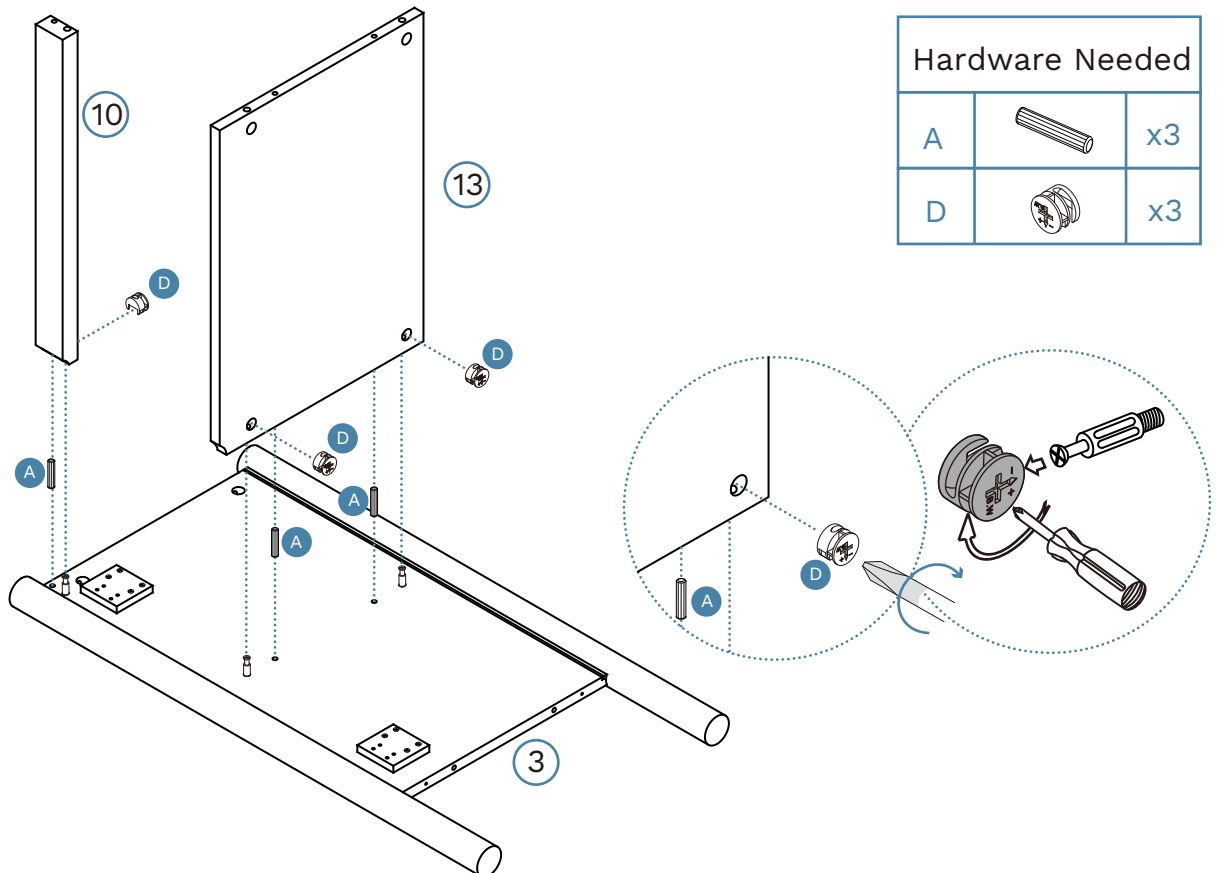
Buffet



1



Hardware Needed		
C		x6
E		x9
CR		x3

2

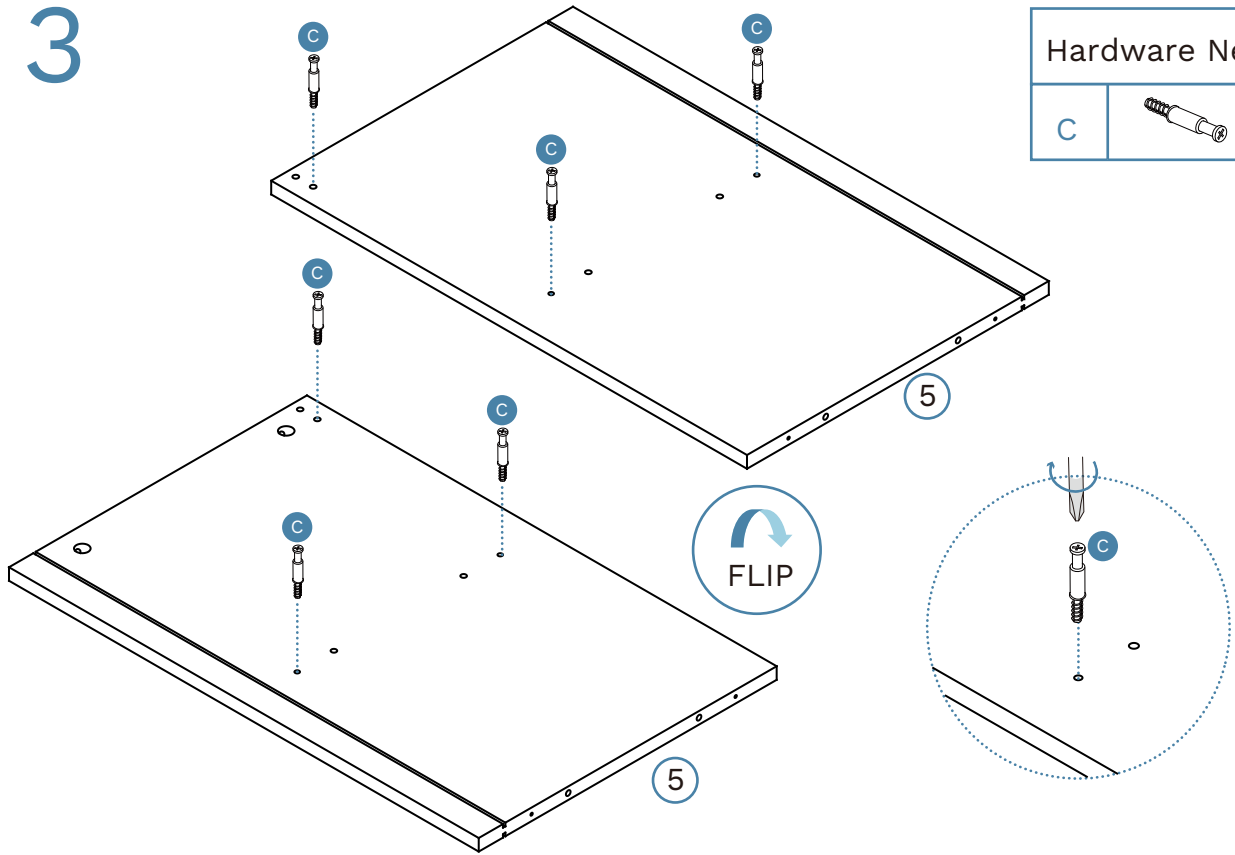



Hardware Needed		
A		x3
D		x3

# Blair

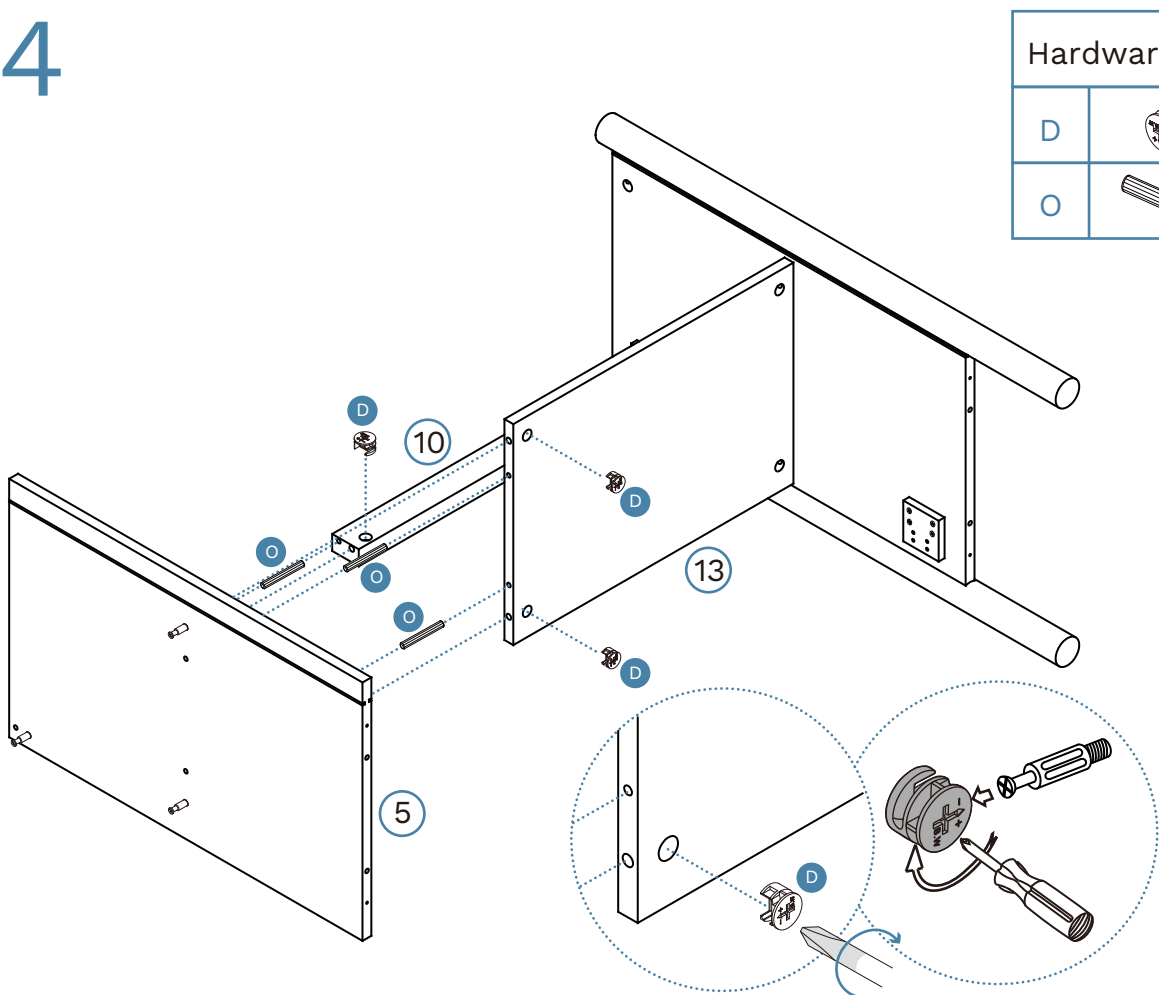
Buffet


3



Hardware Needed		
C		x6

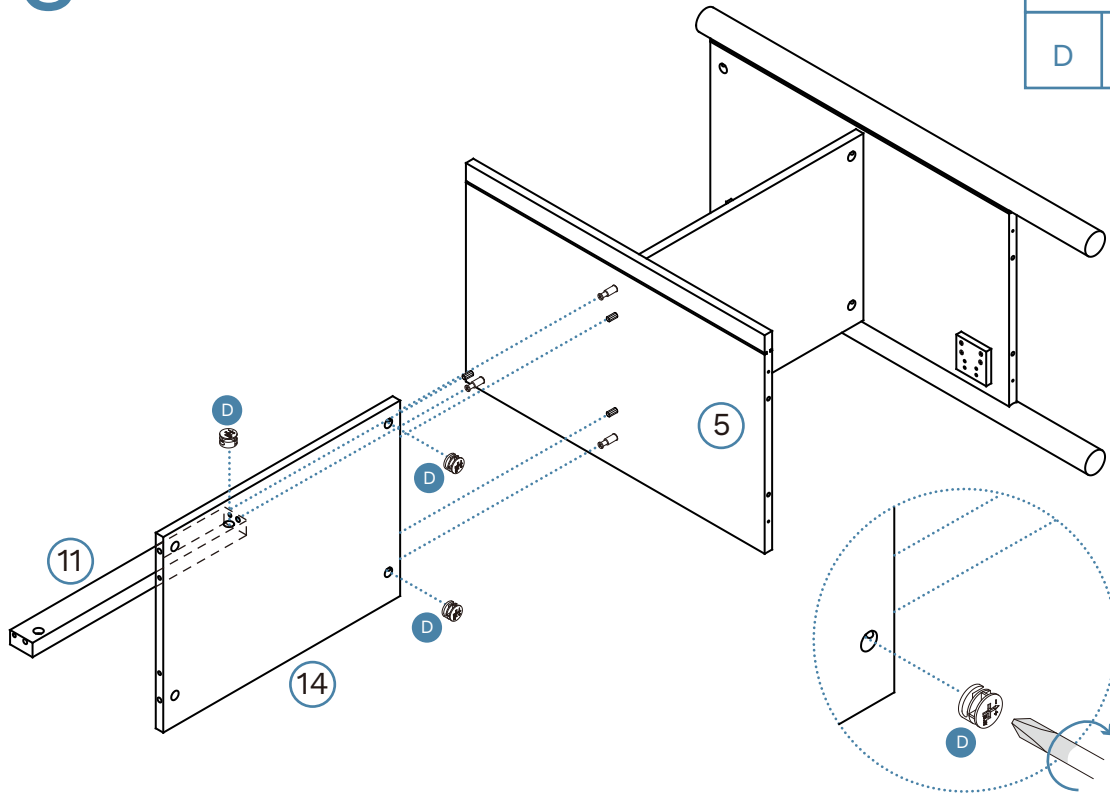
4



Hardware Needed		
D		x3
O		x3

Blair  
Buffet

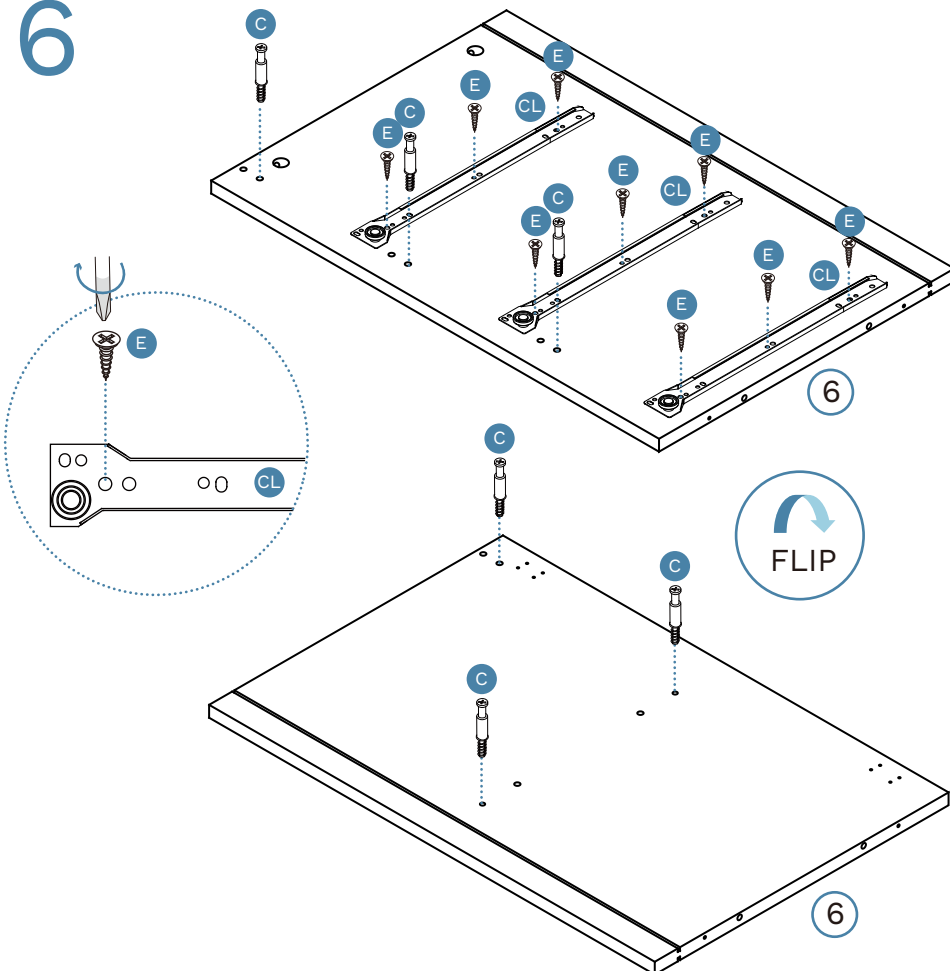
5






Hardware Needed

D		x3
---	---	----

6



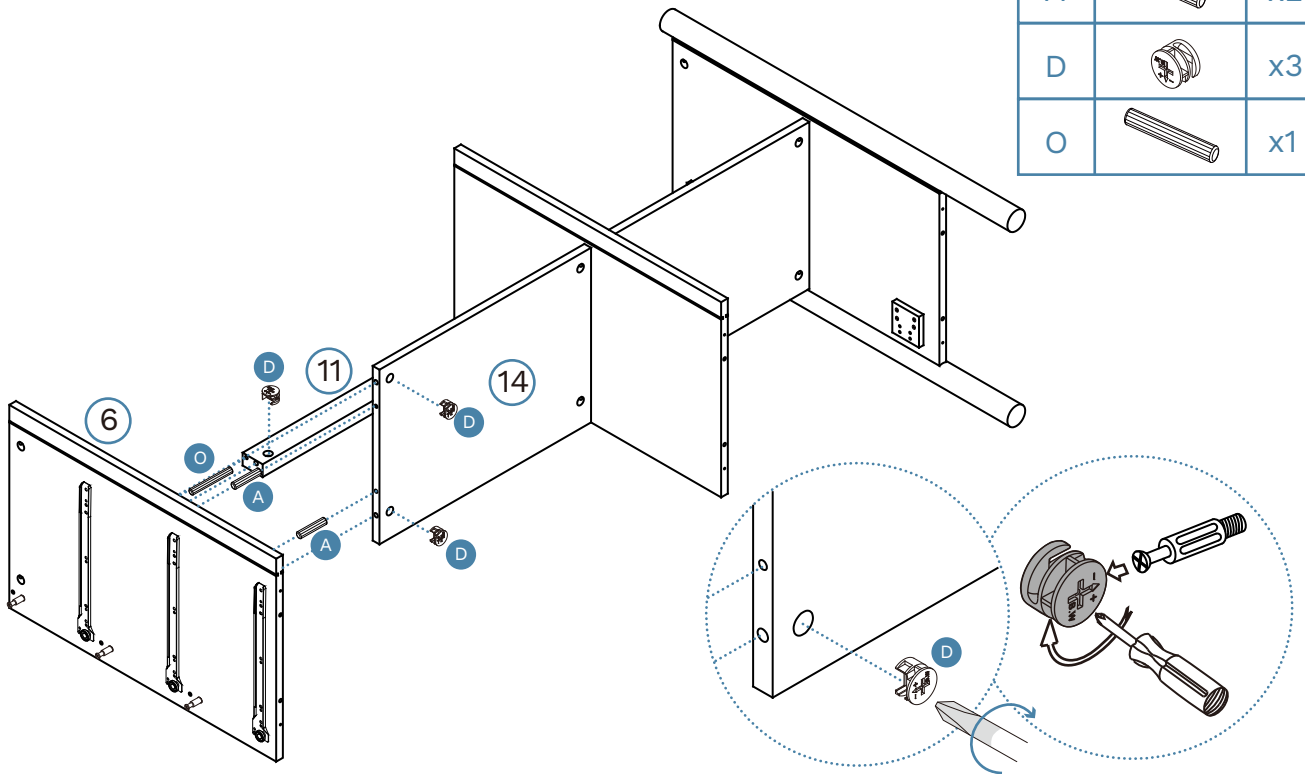
Hardware Needed




C		x6
E		x9
CL		x3



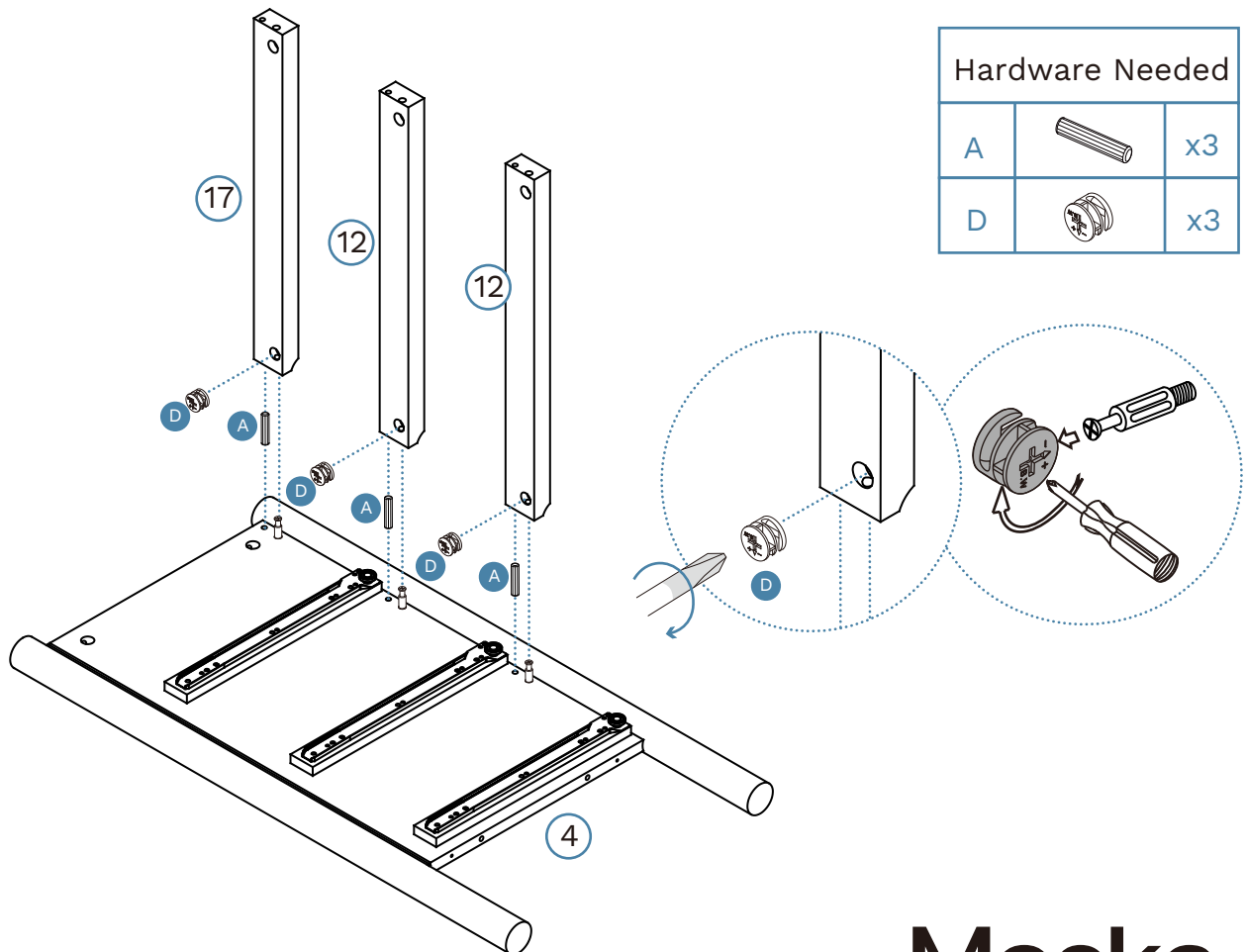
Blair  
Buffet

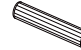

7



Hardware Needed		
A		x2
D		x3
O		x1

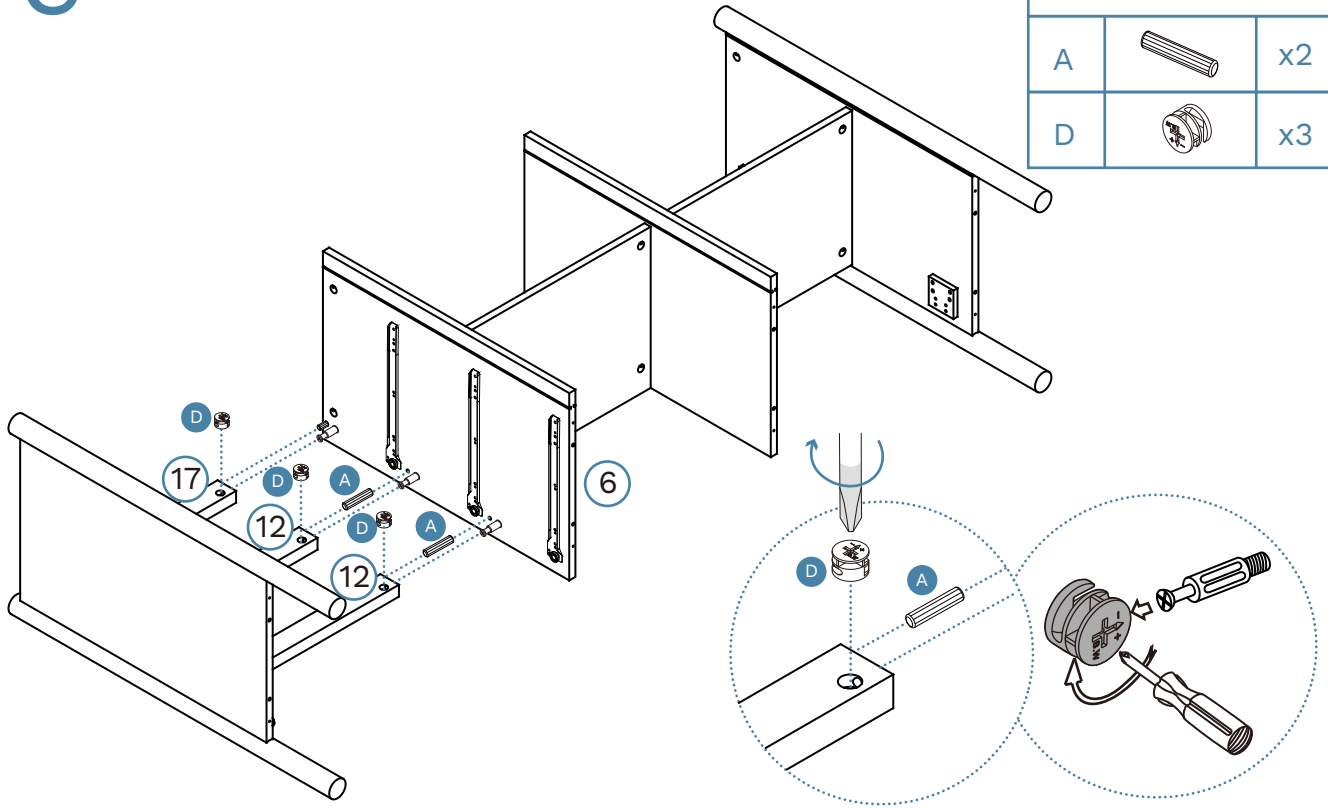
8



Hardware Needed		
A		x3
D		x3

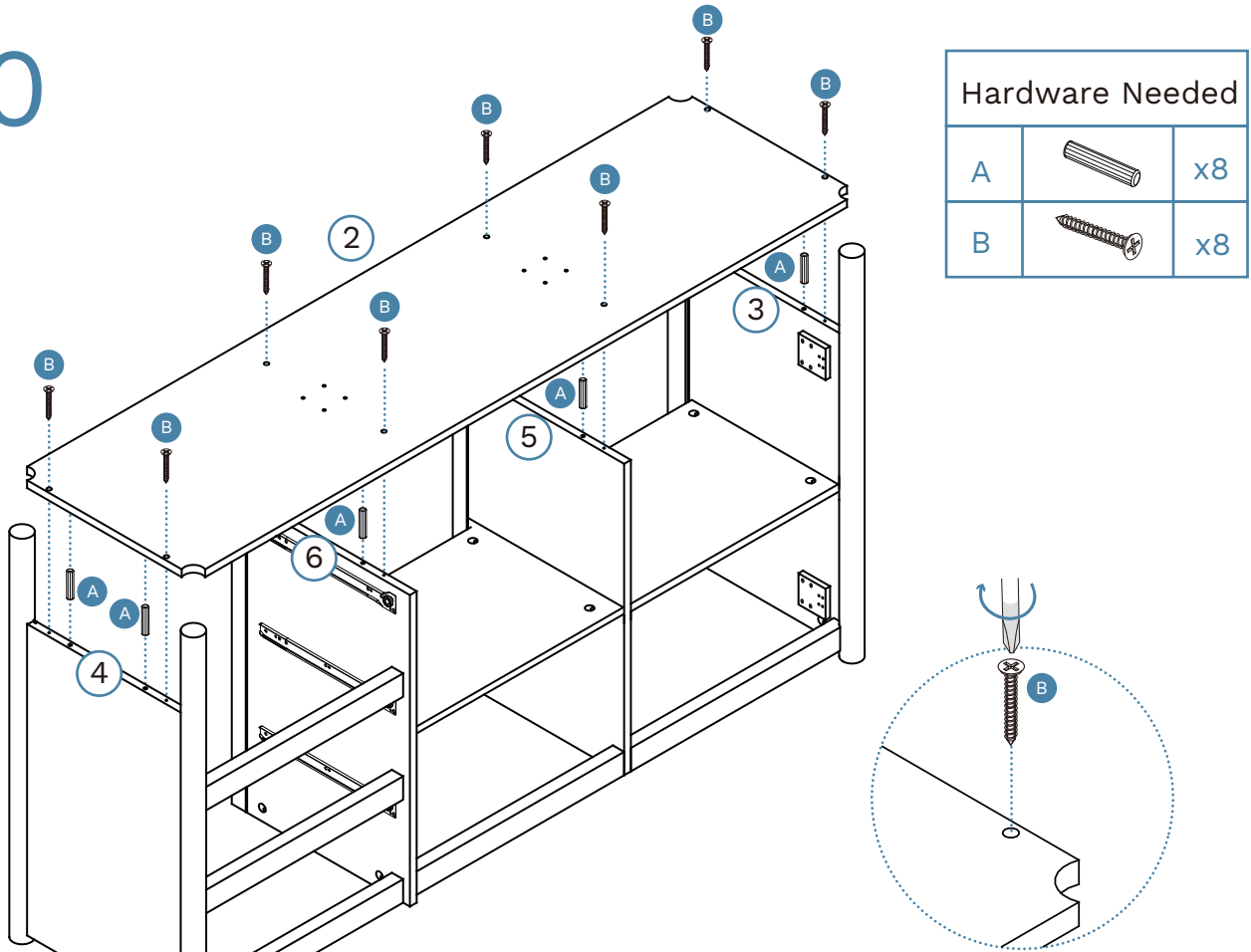
Blair  
Buffet

9



Hardware Needed		
A		x2
D		x3

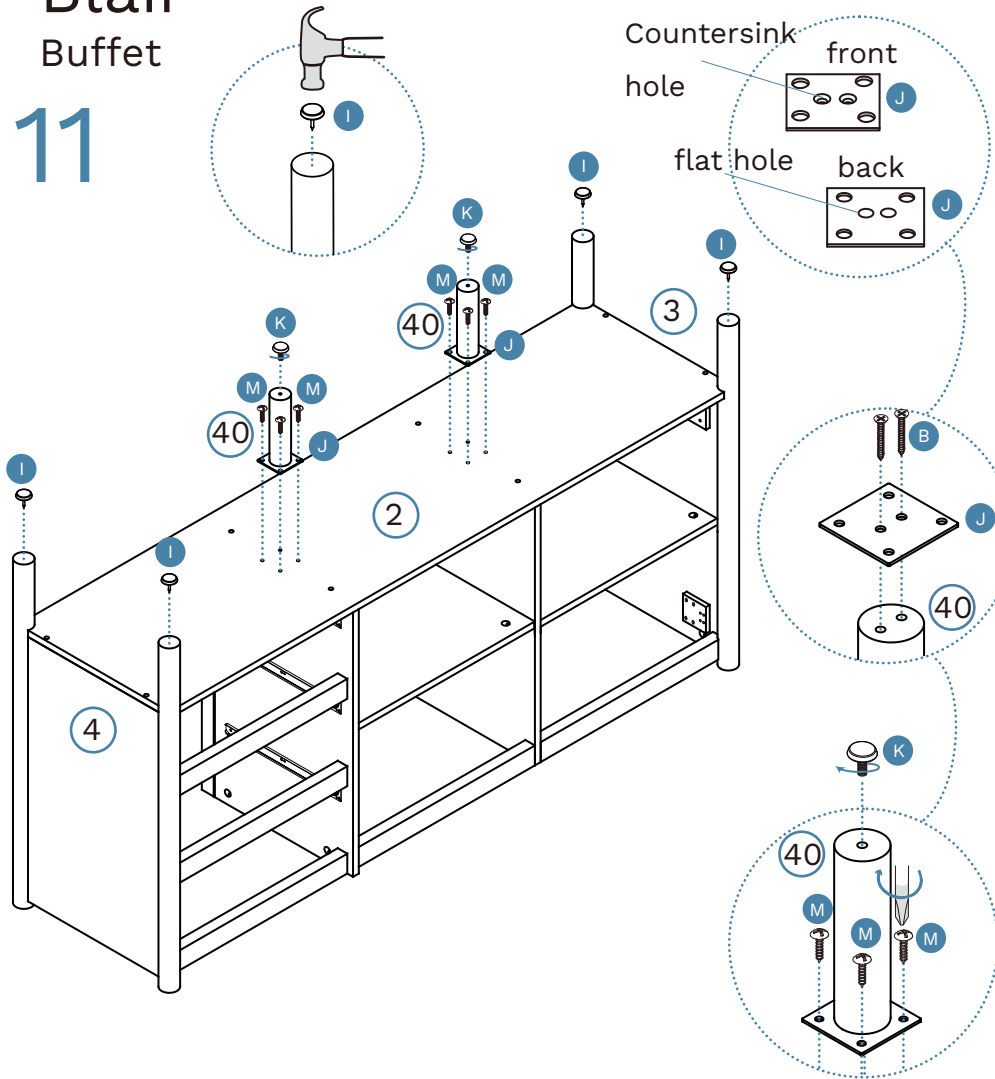
10



Hardware Needed		
A		x8
B		x8

Blair  
Buffet

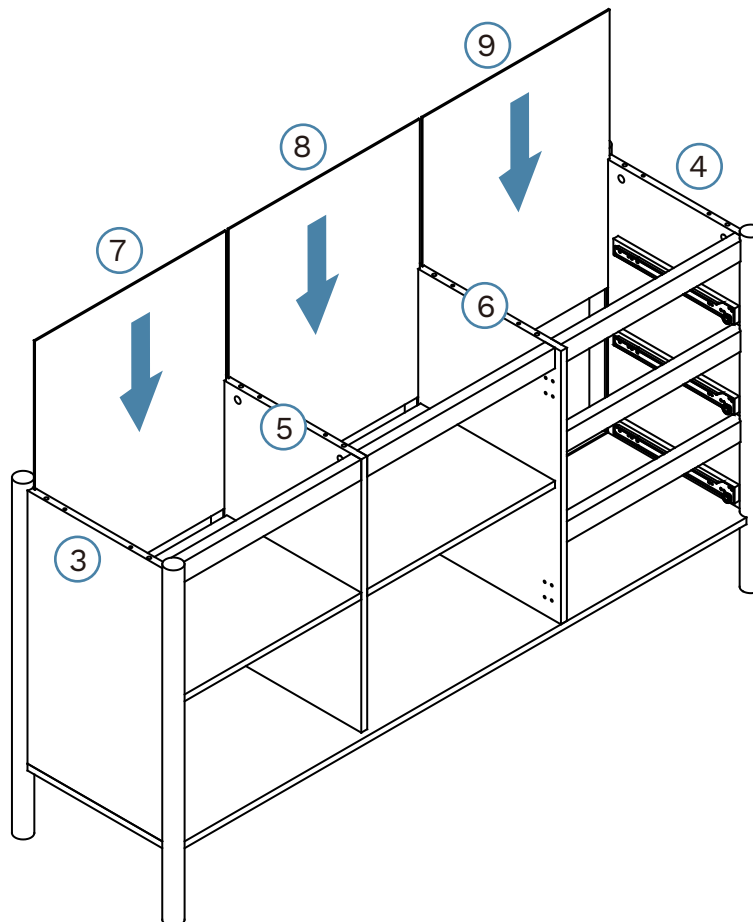
11



Hardware Needed		
J		x2
B		x4
M		x8
I		x4
K		x2

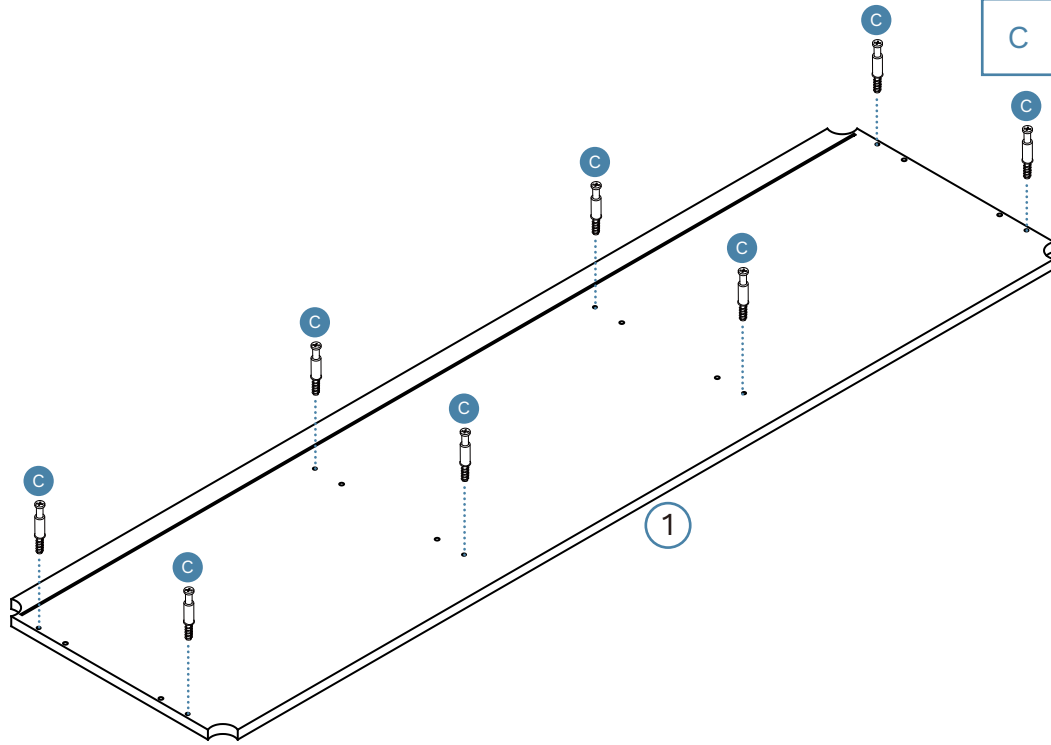
TURN OVER


12



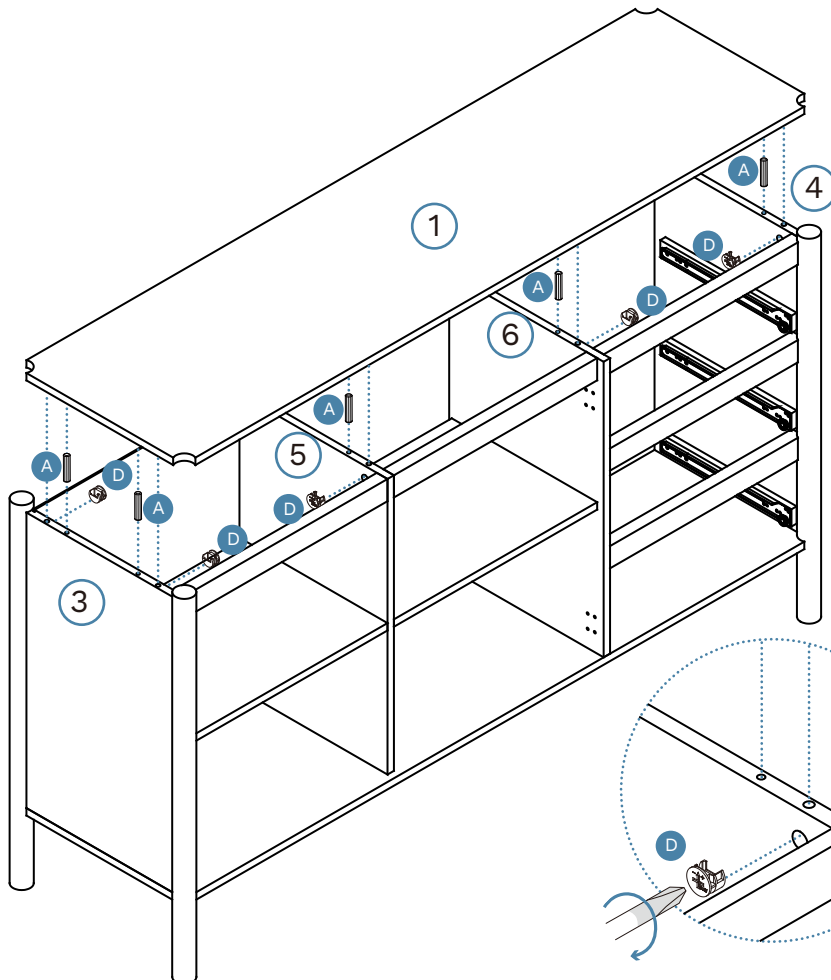
Blair  
Buffet

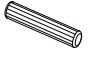

13

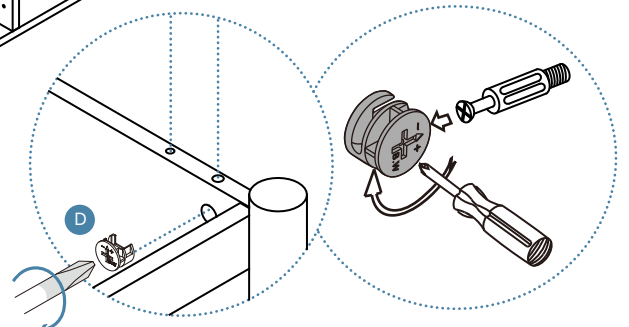


Hardware Needed		
C		x8

14

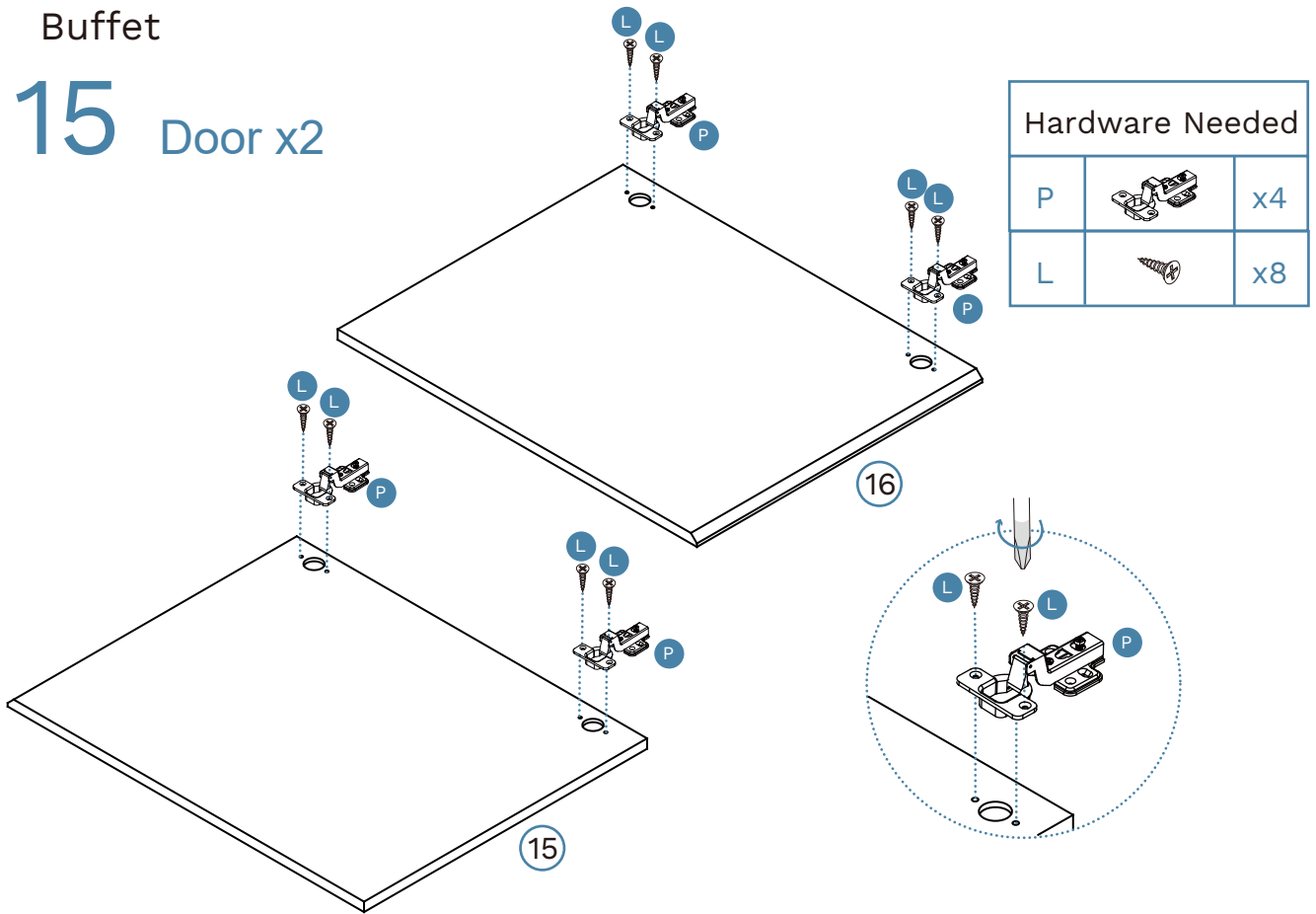


Hardware Needed		
A		x8
D		x8



Blair  
Buffet

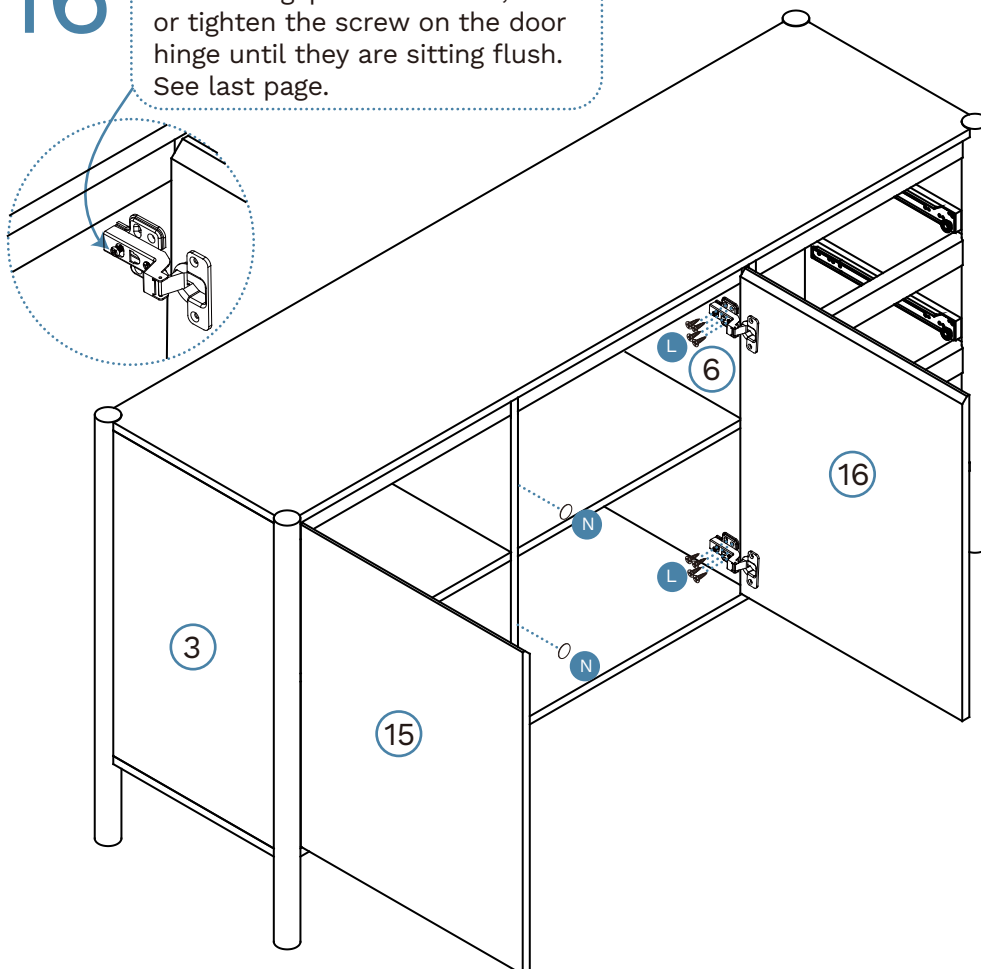
15 Door x2



Hardware Needed		
P		x4
L		x8

16


NOTE: If the doors are uneven or there is a gap in the middle, loosen or tighten the screw on the door hinge until they are sitting flush. See last page.

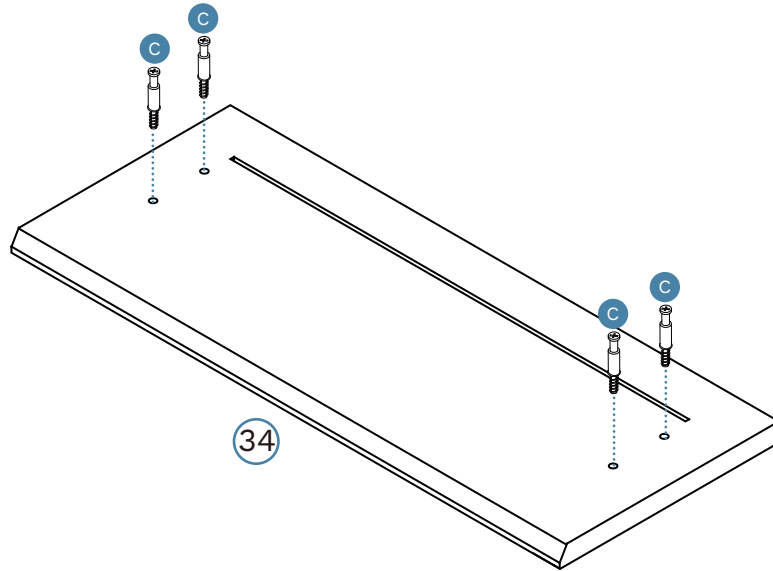


Hardware Needed		
L		x16
N		x2


Blair  
Buffet

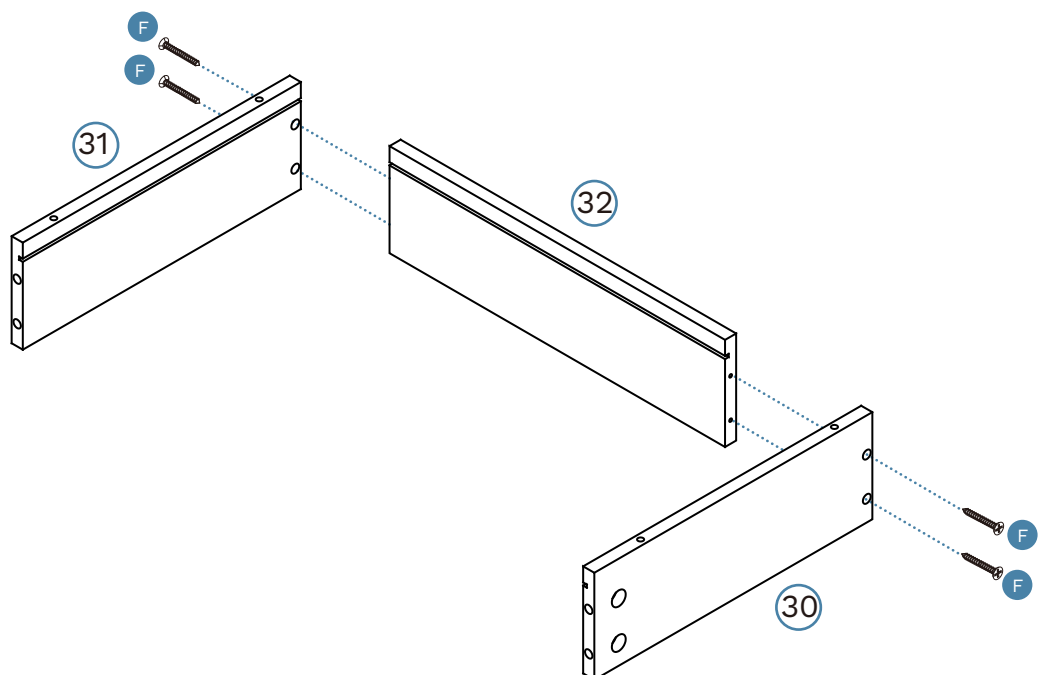
17 Drawer x3

Hardware Needed		
C		x12



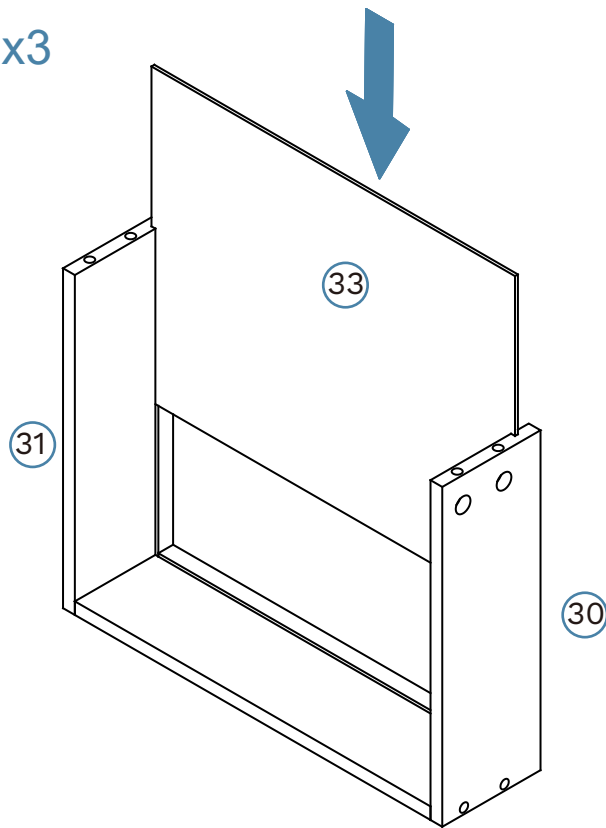
18 Drawer x3

Hardware Needed		
F		x12

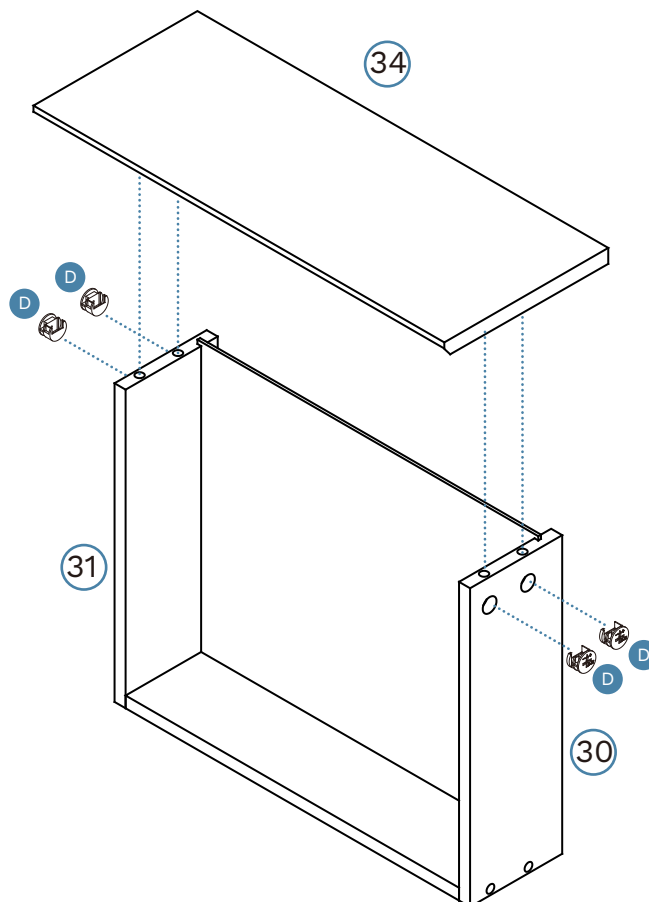



Blair  
Buffet

19 Drawer x3



20 Drawer x3

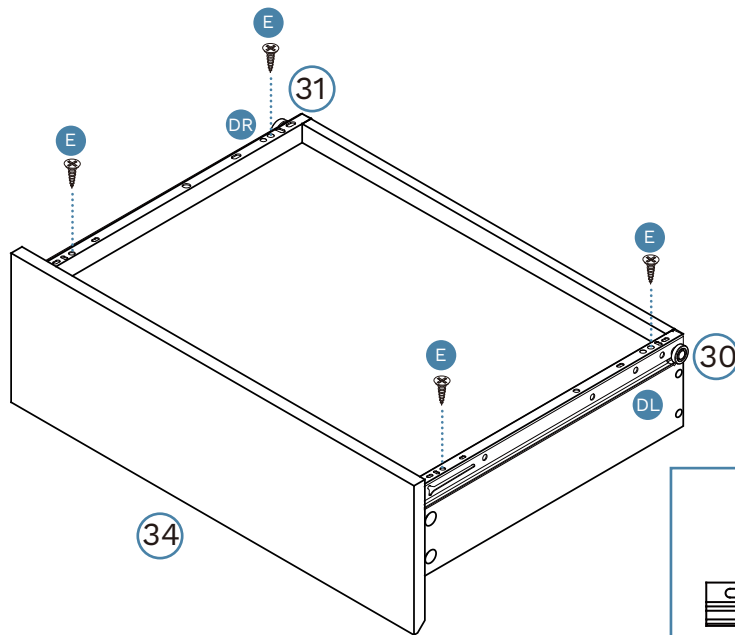


Hardware Needed		
D		x12

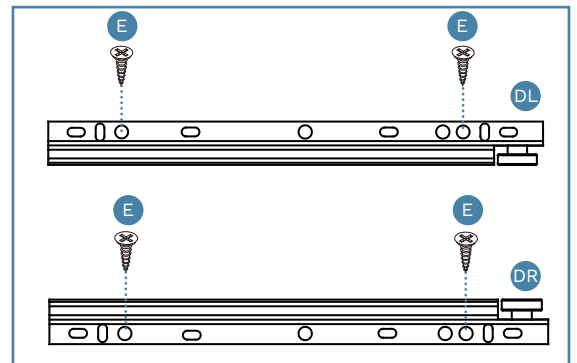
# Blair

Buffet

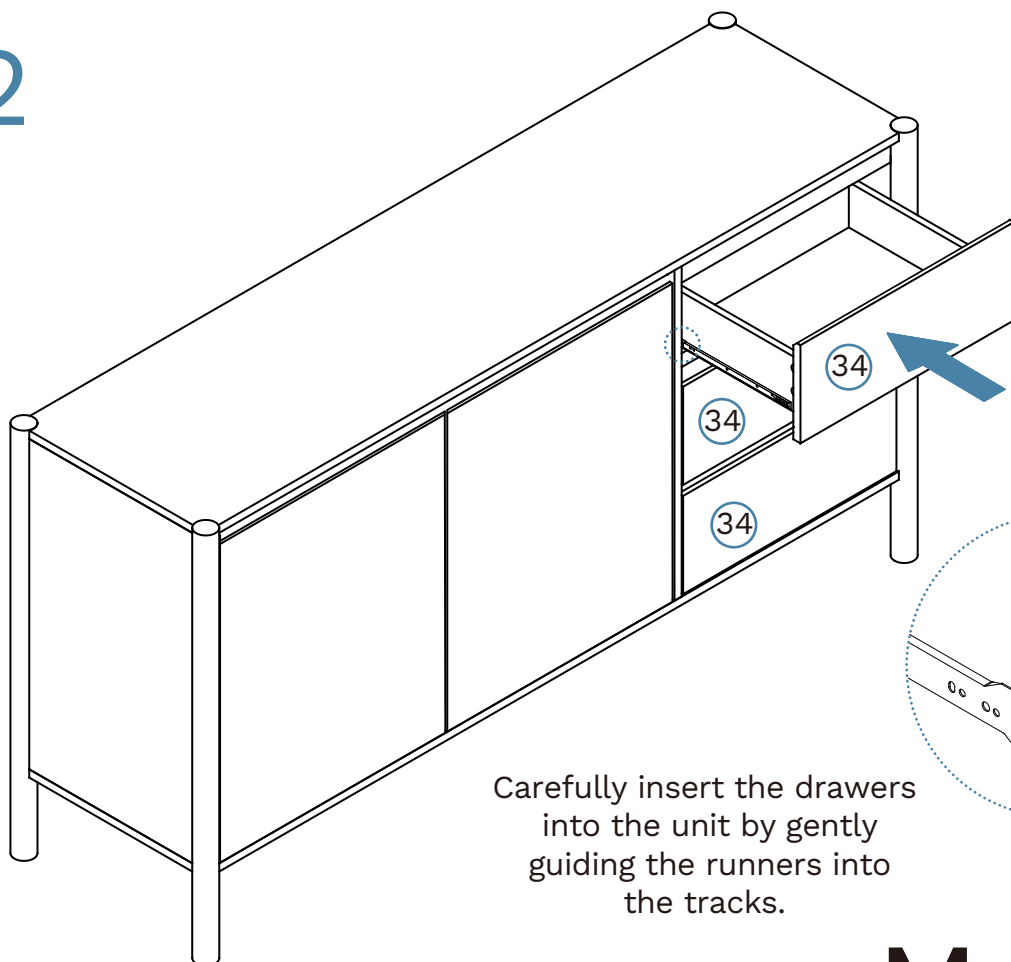
## 21 Drawer x3



Hardware Needed		
E		x12
DL		x3
DR		x3



## 22

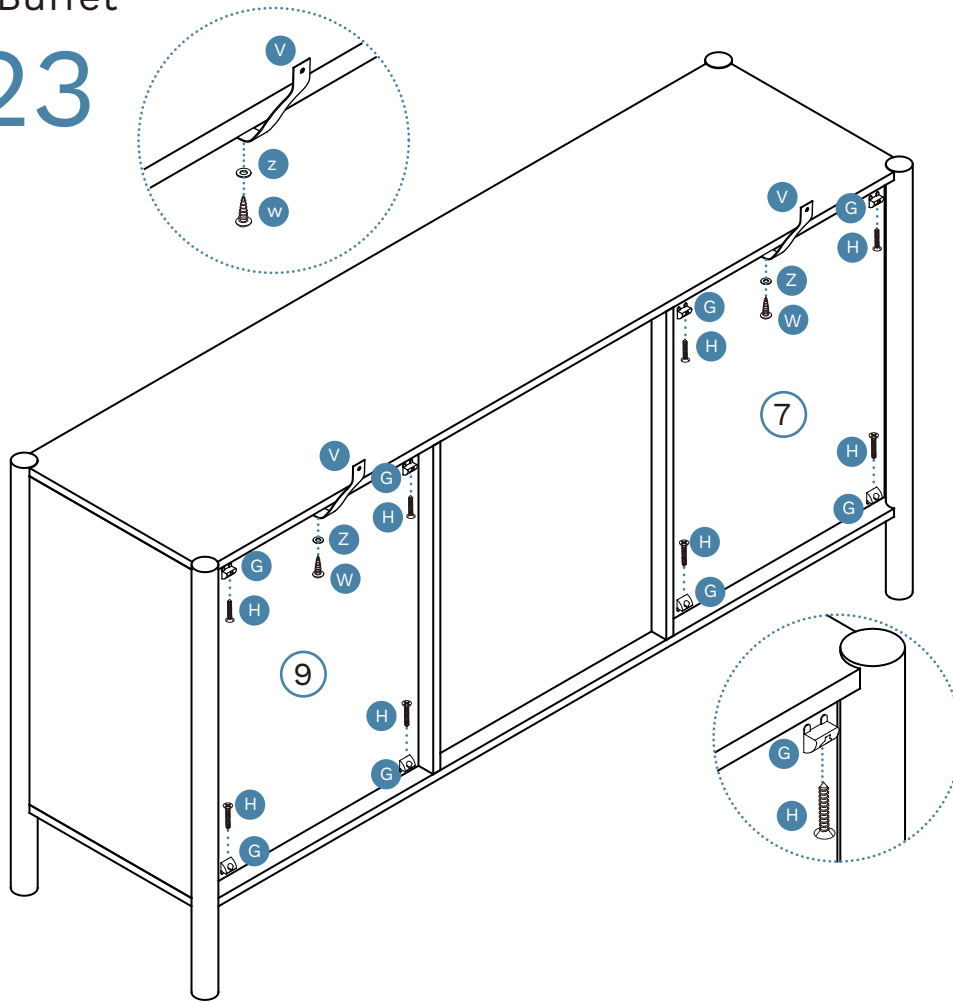


Carefully insert the drawers into the unit by gently guiding the runners into the tracks.



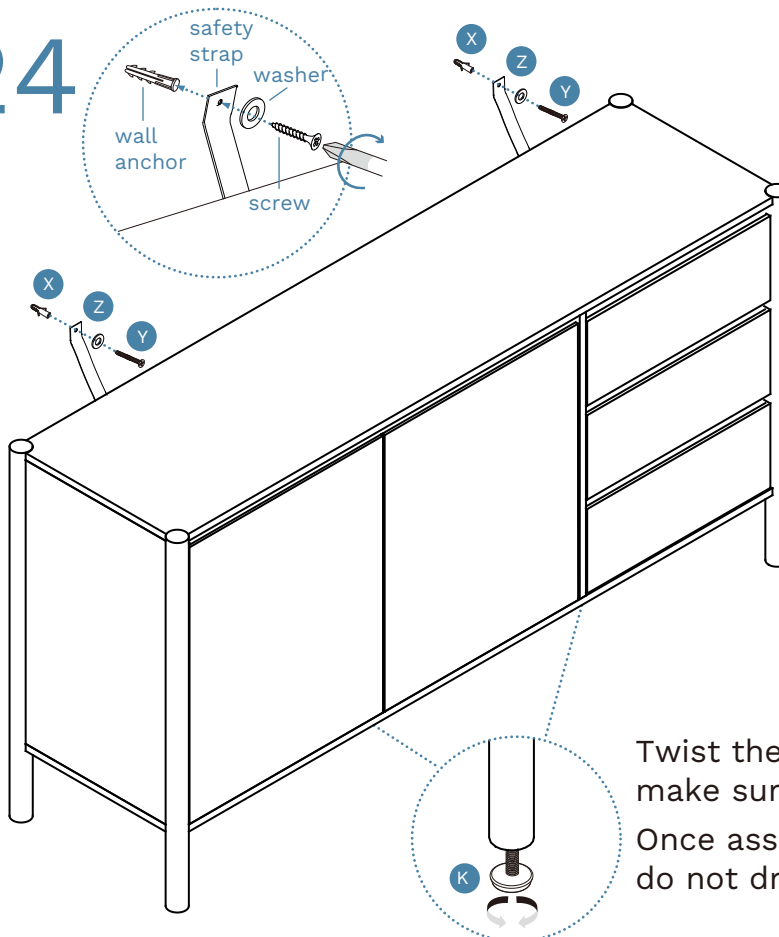
Blair  
Buffet

23



Hardware Needed		
G		x8
H		x8
V		x2
W		x2
Z		x2

24



Hardware Needed		
X		x2
Y		x2
Z		x2

**Note:** Seek advice from a qualified trades person on how to attach this safety strap to your specific wall.

Twist the adjuster on centre leg to make sure the top panel is flush.  
Once assembled lift furniture into place, do not drag. You're done, enjoy!

**Mocka.**

HOW TO ADJUST THE HINGES TO ALIGN THE DOORS IF NEEDED.

ASSEMBLY INSTRUCTIONS

